



www.fine-tek.com

Valve and Controller for Dust Collector System





1 Controller For Dust Collector System

2 Diaphragm Valve

3 Remote Solenoid Pilot

4 Remote Solenoid Enclosure

5 Air Hammer

6 Pneumatic Vibrator

7 Capacitance Level Switch

8 Rotary Paddle Level Switch

9 Tuning Fork Level Switch

10 Vibrating Probe Level Switch

11 RF Capacitance admittance Level Switch

12 Snifter dust monitor

PRODUCT INFORMATION

WORKING PRINCIPLE

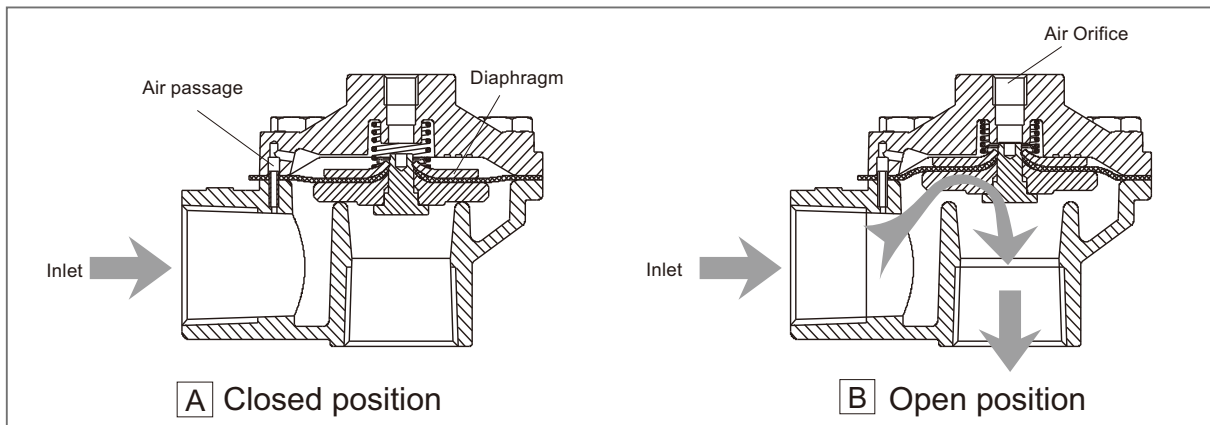
The diaphragm valves are used specifically in the dust collector system. The valve consists of 2 air chambers divided by a piece of diaphragm. The 2 chambers are connected through an air passage (air passage's diameter is smaller than the orifice of the pilot valve). When the orifice opens, the air in the upper chamber is exhausted much faster than the speed of air that enters through the air passage. The air pressure of the upper chamber drops significantly, the higher pressure of the lower chamber pushes the diaphragm up and opens a bigger passage for air to enter into the bottom chamber. This sudden burst of air is used to inflate the fabric filter so as to shake off all the dust clinging on the bag filter. When the orifice closes, the pressure in both chambers equalizes and the diaphragm returns to its original position via the force of the coiled spring.

FEATURES

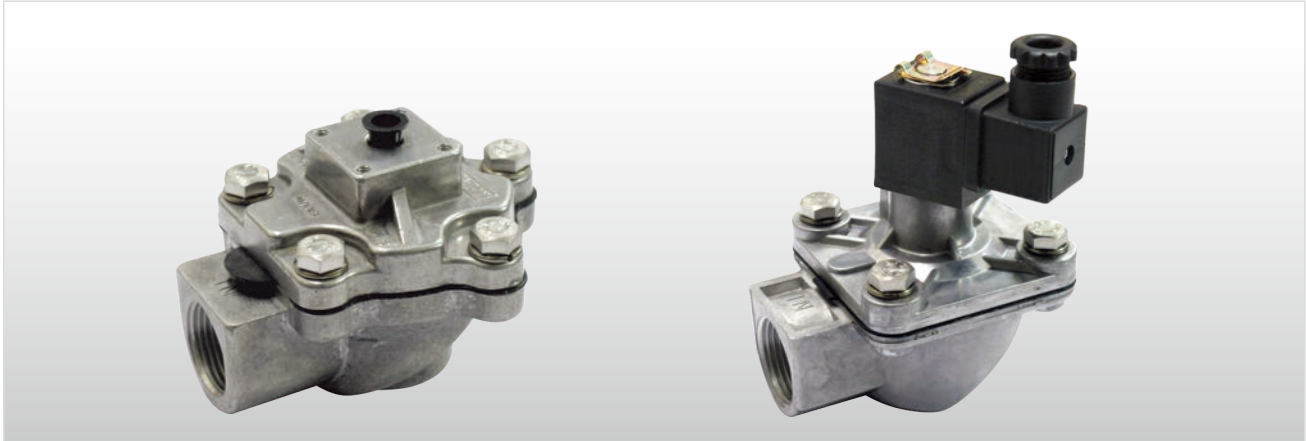
- Fast response, large flow volume, effective cleaning action on fabric filter
- Low air consumption
- Compatible with programmable sequential controller
- Ease of adjustment in jet pulse timing and duration

APPLICATION

Pulse cleaning and filtering system in dust collectors, also suitable for filter bags, filter barrels, flat bags, ceramic tubes and filter bags for metal fiber.



DIAPHRAGM VALVES WITH FEMALE THREAD



MODEL NUMBER / ORDER CODE COMPARISON TABLE

Model Number	Order Code
BRD-20SC	BRD10000-ACA7A07MH0
BRD-25SC	BRD10000-ACA8A07MH0
BRD-40SC	BRD10000-ACB1A07MH0
BRD-42SC	BRD10000-ACB1B07MH0
BRD-52SC	BRD10000-ACB2B07MH0
BRD-62SC	BRD10000-ACB4B07MH0
BRD-72SC	BRD10000-ACB5B07MH0

Model Number	Order Code
BRD-20SC□	BRD10000-A□A7A07MH□
BRD-25SC□	BRD10000-A□A8A07MH□
BRD-40SC□	BRD10000-A□B1A07MH□
BRD-42SC□	BRD10000-A□B1B07MH□
BRD-52SC□	BRD10000-A□B2B07MH□
BRD-62SC□	BRD10000-A□B4B07MH□
BRD-72SC□	BRD10000-A□B5B07MH□

ORDER INFORMATION

BRD 1 0 0 0 0 - A ^⑩□ ^⑪□ ^⑫□ ^⑬□ 0 7 MH ^⑱□

⑩ Control method and wiring

- A: Integrated type; Solenoid valve with lead wire
- B: Integrated type; Solenoid valve with DIN connector
- C: Remote type

⑪ ⑫ Process connection

- A7: 3/4" B2: 2"
- A8: 1" B4: 2-1/2"
- B1: 1-1/2" B5: 3"

⑬ Diaphragm type

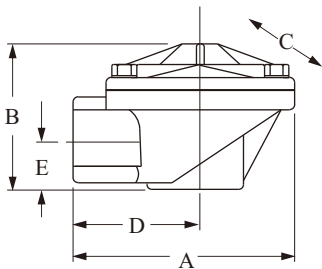
- A: Single diaphragm
- B: Dual diaphragm

⑱ Power supply for solenoid valve

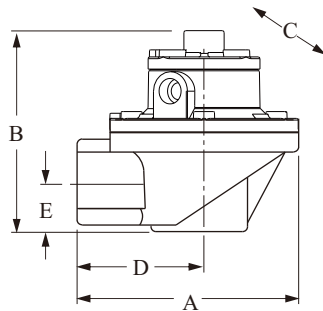
- A: 110Vac C: 24Vdc
- B: 220Vac 0: Without solenoid valve

DIAPHRAGM VALVES WITH FEMALE THREAD REMOTE TYPE

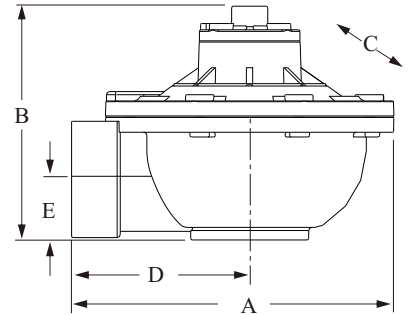
Model: BRD-□□SC



Model: BRD-42SC



Model: BRD-□□2SC

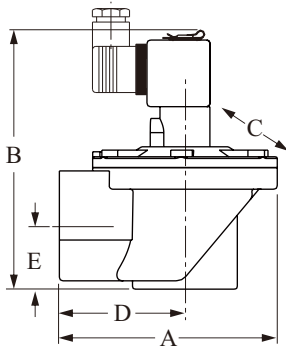


Model	A		B		C (wide)		D		E	
	inch	mm	inch	mm	inch	mm	inch	mm	inch	mm
BRD-20SC	3.95	100	2.97	75	3.44	87	2.19	56	0.78	20
BRD-25SC	4.13	105	3	76	3.25	83	2.50	64	0.87	22
BRD-40SC	5.12	130	4.91	125	4.37	111	4.5	75	1.28	36
BRD-42SC	5.12	130	5.16	131	4.37	111	4.5	75	1.28	36
BRD-52SC	8.07	205	5.87	149	7.24	184	4.45	113	1.55	40
BRD-62SC	8.27	210	6.69	170	7.24	184	4.65	118	1.89	48
BRD-72SC	8.58	218	7.83	199	7.87	200	4.65	118	2.48	63

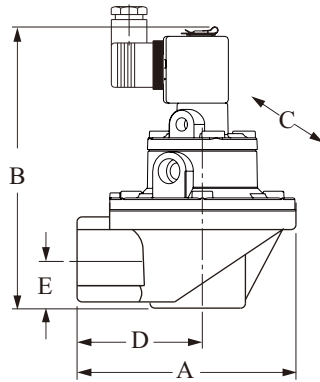
Model	Orifice (inch)	Number (Diaphragm)	Flow factor Kv (m ³ /h)	Flow factor Cv (gal/min)	Operating pressure (Bar)	Weight (g)
BRD-20SC	3/4"	1	12.04	14	0.3 ~ 8.6	420
BRD-25SC	1"	1	19.78	23	0.3 ~ 8.6	520
BRD-40SC	1-1/2"	1	36.12	42	0.3 ~ 8.6	960
BRD-42SC	1-1/2"	2	43.86	51	0.3 ~ 8.6	1160
BRD-52SC	2"	2	91.16	106	0.3 ~ 8.6	2380
BRD-62SC	2-1/2"	2	116.96	136	0.3 ~ 8.6	2500
BRD-72SC	3"	2	143.62	167	0.3 ~ 8.6	3970

DIAPHRAGM VALVES WITH FEMALE THREAD INTEGRATED TYPE

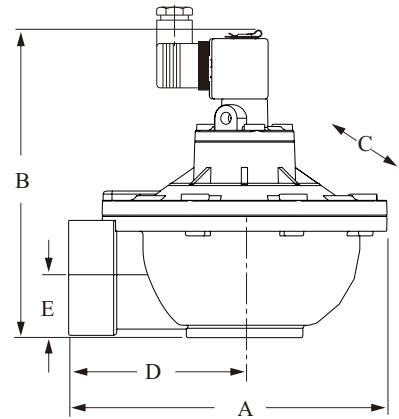
Model:BRD-□□SC



Model:BRD-42SC



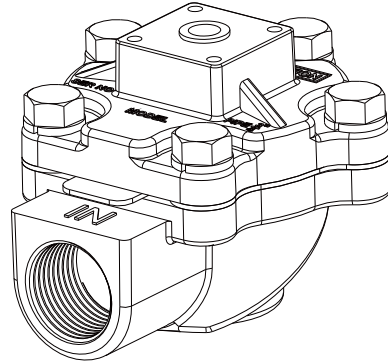
Model:BRD-□2SC



Model	A		B		C (wide)		D		E	
	inch	mm	inch	mm	inch	mm	inch	mm	inch	mm
BRD-20SC□	3.95	100	4.8	122	3.44	87	2.19	56	0.78	20
BRD-25SC□	4.13	105	5.35	136	3.25	83	2.50	64	0.87	22
BRD-40SC□	5.12	130	6.06	154	4.37	111	4.5	75	1.28	36
BRD-42SC□	5.12	130	7.20	183	4.37	111	4.5	75	1.28	36
BRD-52SC□	8.07	205	7.91	201	7.24	184	4.45	113	1.55	40
BRD-62SC□	8.27	210	8.74	222	7.24	184	4.65	118	1.89	48
BRD-72SC□	8.58	218	9.88	251	7.87	200	4.65	118	2.48	63

Model	Orifice (inch)	Number (Diaphragm)	Flow factor Kv (m ³ /h)	Flow factor Cv (gal/min)	Operating pressure (Bar)	Weight (g)
BRD-20SC□	3/4"	1	12.04	14	0.3 ~ 8.6	600
BRD-25SC□	1"	1	19.78	23	0.3 ~ 8.6	750
BRD-40SC□	1-1/2"	1	36.12	42	0.3 ~ 8.6	1160
BRD-42SC□	1-1/2"	2	43.86	51	0.3 ~ 8.6	1410
BRD-52SC□	2"	2	91.16	106	0.3 ~ 8.6	2630
BRD-62SC□	2-1/2"	2	116.96	136	0.3 ~ 8.6	2750
BRD-72SC□	3"	2	143.62	167	0.3 ~ 8.6	4220

DIAPHRAGM VALVES WITH FEMALE THREAD REMOTE TYPE



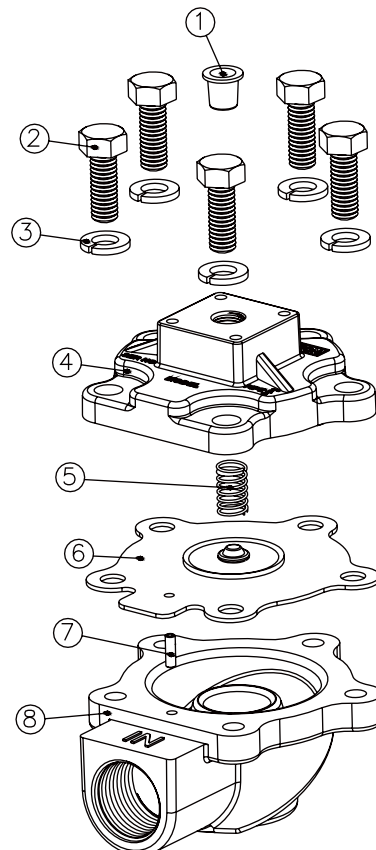
GENERAL FEATURES

Fluids : Air filtered and oil free air
 Diaphragm material : NBR
 Operation temp. : -20 ~ 85°C
 Ambient temp. : -20 ~ 60°C

NO.	
1	Plastic plug
2	Hexagon cover screws
3	Spring washer
4	Top cover
5	Spring
6	Diaphragm
7	Air passage
8	Body

CONSTRUCTION

Cover : Aluminum
 Body : Aluminum



DIAPHRAGM VALVES WITH FEMALE THREAD REMOTE TYPE(DUAL DIAPHRAGM)

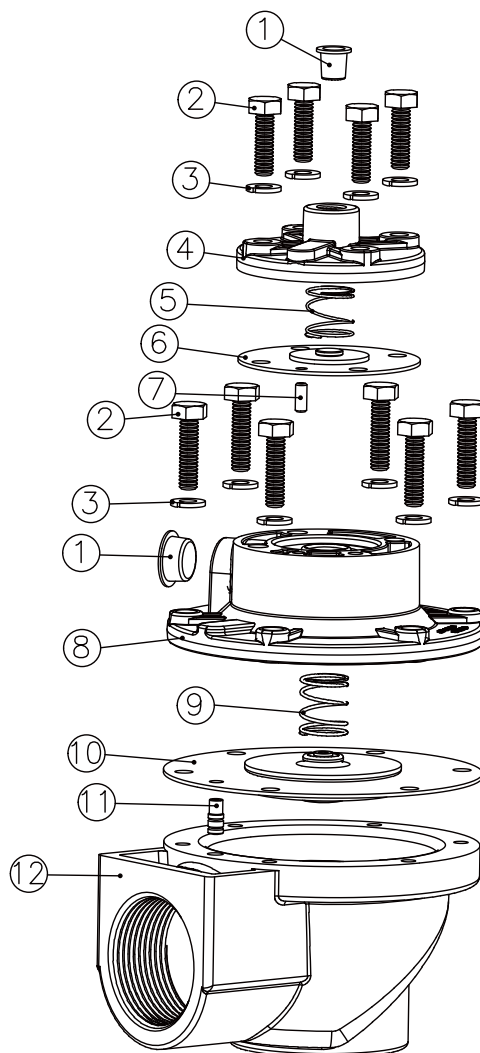


GENERAL FEATURES

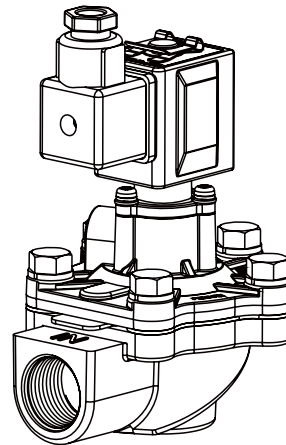
Fluids : Air filtered and oil free air
 Diaphragm material : NBR
 Operation temp. : -20 ~ 85°C
 Ambient temp. : -20 ~ 60°C

CONSTRUCTION

NO	
1	Plastic plug
2	Hexagon cover screws
3	Spring washer
4	Top cover
5	Spring
6	Diaphragm
7	Air passage
8	Intermediate cover
9	Spring
10	Diaphragm (secondary)
11	Air passage (secondary)
12	Body Aluminum



DIAPHRAGM VALVES WITH FEMALE THREAD INTEGRATED TYPE



GENERAL FEATURES

Fluids : Air filtered and oil free air
 Diaphragm material : NBR
 Operation temp. : -20 ~ 85°C
 Ambient temp. : -20 ~ 60°C

ELECTRICAL FEATURES

Coil insulation : Class F (155°C)
 Connector spec. : Flying leads (DIN 43650A)
 Electrical equipment : EN 60204.1 and VDE 0580
 Electrical protection : IP65 (EN 60529)
 Standard voltages : 24Vdc±10%,
 110Vac±10%, 50/60Hz
 220Vac±10%, 50/60Hz

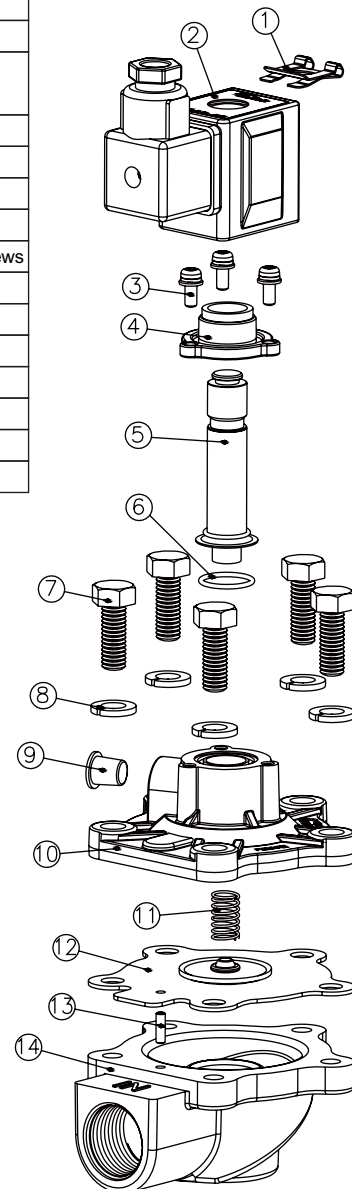
Power consumption : 12W for 24Vdc
 AC---17VA/50Hz
 AC---14.5VA/60Hz

Ambient temp. : -20 ~ 50°C

CONSTRUCTION

Cover : Aluminum
 Body : Aluminum

NO.	
1	Clip
2	Solenoid valve with DIN connector
3	Screws
4	Base
5	Pilot group
6	O-ring
7	Hexagon cover screws
8	Spring washer
9	Plastic plug
10	Top cover
11	Spring
12	Diaphragm
13	Air passage
14	Body



DIAPHRAGM VALVES WITH FEMALE THREAD INTEGRATED TYPE (DUAL DIAPHRAGM)



GENERAL FEATURES

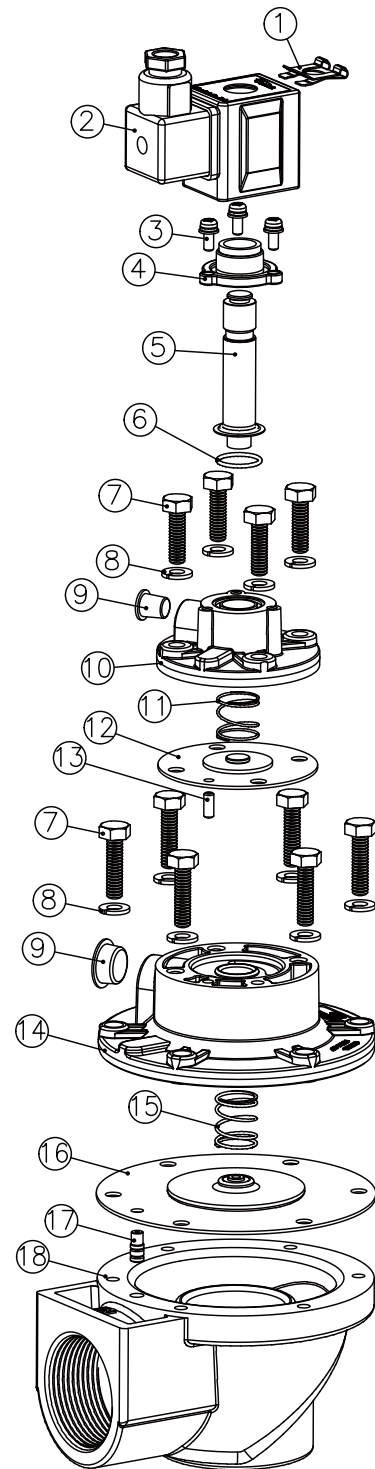
Fluids : Air filtered and oil free air
 Diaphragm material : NBR
 Operation temp. : -20 ~ 85°C
 Ambient temp. : -20 ~ 60°C

ELECTRICAL FEATURES

Coil insulation : Class F (155°C)
 Connector spec. : Flying leads (DIN 43650A)
 Electrical equipment : EN 60204.1 and VDE 0580
 Electrical protection : IP65 (EN 60529)
 Standard voltages : 24Vdc ±10%
 110Vac±10%, 50/60Hz
 220Vac±10%, 50/60Hz
 Power consumption : DC-12W
 AC-17VA(50Hz) / 14.5VA(60Hz)
 Ambient temp. : -20 ~ 50°C

CONSTRUCTION

NO		NO	
1	Clip	10	Top cover
2	Solenoid valve	11	Spring
3	Screws	12	Diaphragm
4	Base	13	Air passage
5	Pilot group	14	Intermediate cover
6	O-RING	15	Spring
7	Hexagon cover screws	16	Diaphragm (secondary)
8	Spring washer	17	Air passage (secondary)
9	Plastic plug	18	Body Aluminum



DIAPHRAGM VALVES WITH QUICK FITTINGS



MODEL NUMBER / ORDER CODE COMPARISON TABLE

Model Number	Order Code
BRD-20NC	BRD10000-BCA7A07MH0
BRD-25NC	BRD10000-BCA8A07MH0
BRD-40NC	BRD10000-BCB1A07MH0
BRD-42NC	BRD10000-BCB1B07MH0

Model Number	Order Code
BRD-20NC□	BRD10000-B□A7A07MH□
BRD-25NC□	BRD10000-B□A8A07MH□
BRD-40NC□	BRD10000-B□B1A07MH□
BRD-42NC□	BRD10000-B□B1B07MH□

ORDER INFORMATION

BRD 1 0 0 0 0 - B ^⑩□ ^⑪□ ^⑫□ ^⑬□ 0 7 MH ^⑱□

⑩ Control method and wiring

- A: Integrated type; Solenoid valve with lead wire
- B: Integrated type; Solenoid valve with DIN connector
- C: Remote type

⑪ ⑫ Process connection

- A7: 3/4" A8: 1" B1: 1-1/2"

⑬ Diaphragm type

- A: Single diaphragm
- B: Dual diaphragm

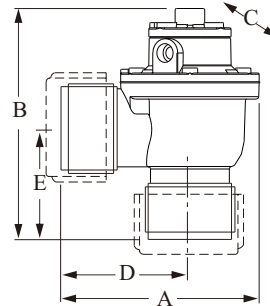
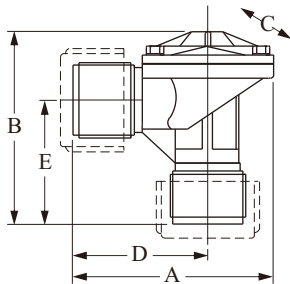
⑱ Power supply for solenoid valve

- A: 110Vac
- B: 220Vac
- C: 24Vdc
- 0: Without solenoid valve

DIAPHRAGM VALVES WITH QUICK FITTINGS REMOTE TYPE

Model: BRD-□□NC

Model: BRD-42NC



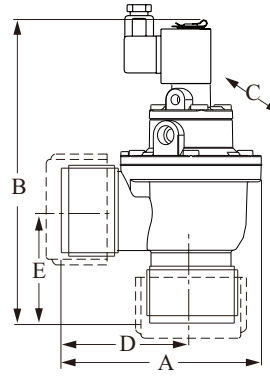
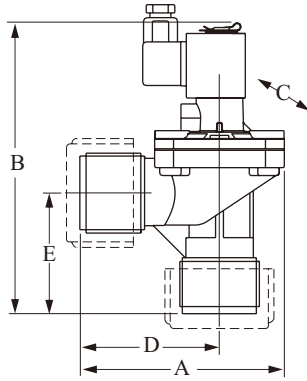
Model	A		B		C (wide)		D		E	
	inch	mm	inch	mm	inch	mm	inch	mm	inch	mm
BRD-20NC	4.41	112	4	102	3.43	87	2.63	67	1.77	45
BRD-25NC	4.62	117	5	127	3.25	83	3	76	2.75	70
BRD-40NC	5.78	147	5.47	139	4.37	111	3.6	92	3	76
BRD-42NC	5.78	147	6.77	172	4.37	111	3.6	92	3	76

Model	Orifice (inch)	Number (Diaphragm)	Flow factor Kv (m ³ /h)	Flow factor Cv (gal/min)	Operating pressure (Bar)	Weight (g)
BRD-20NC	3/4"	1	12.04	14	0.3 ~ 8.6	620
BRD-25NC	1"	1	19.78	23	0.3 ~ 8.6	960
BRD-40NC	1-1/2"	1	36.12	42	0.3 ~ 8.6	1100
BRD-42NC	1-1/2"	2	43.86	51	0.3 ~ 8.6	1760

DIAPHRAGM VALVES WITH QUICK FITTINGS INTEGRATED TYPE

Model: BRD-□□NC□

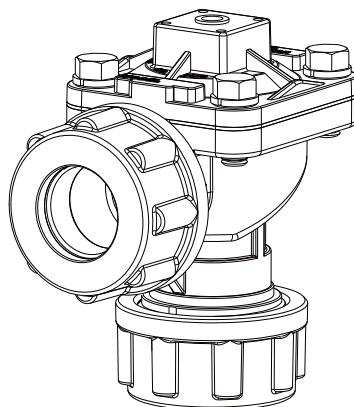
Model: BRD-42NC□



Model	A		B		C (wide)		D		E	
	inch	mm	inch	mm	inch	mm	inch	mm	inch	mm
BRD-20NC□	4.41	112	5.83	148	3.43	87	2.63	67	1.87	45
BRD-25NC□	4.62	117	6.96	177	3.25	83	3	76	2.75	70
BRD-40NC□	5.78	147	7.64	194	4.37	111	3.6	92	3	76
BRD-42NC□	5.78	147	8.82	224	4.37	111	3.6	92	3	76

Model	Orifice (inch)	Number (Diaphragm)	Flow factor Kv (m ³ /h)	Flow factor Cv (gal/min)	Operating pressure (Bar)	Weight (g)
BRD-20NC□	3/4"	1	12.04	14	0.3 ~ 8.6	830
BRD-25NC□	1"	1	19.78	23	0.3 ~ 8.6	1220
BRD-40NC□	1-1/2"	1	36.12	42	0.3 ~ 8.6	1770
BRD-42NC□	1-1/2"	2	43.86	51	0.3 ~ 8.6	1450

DIAPHRAGM VALVES WITH QUICK FITTINGS REMOTE TYPE



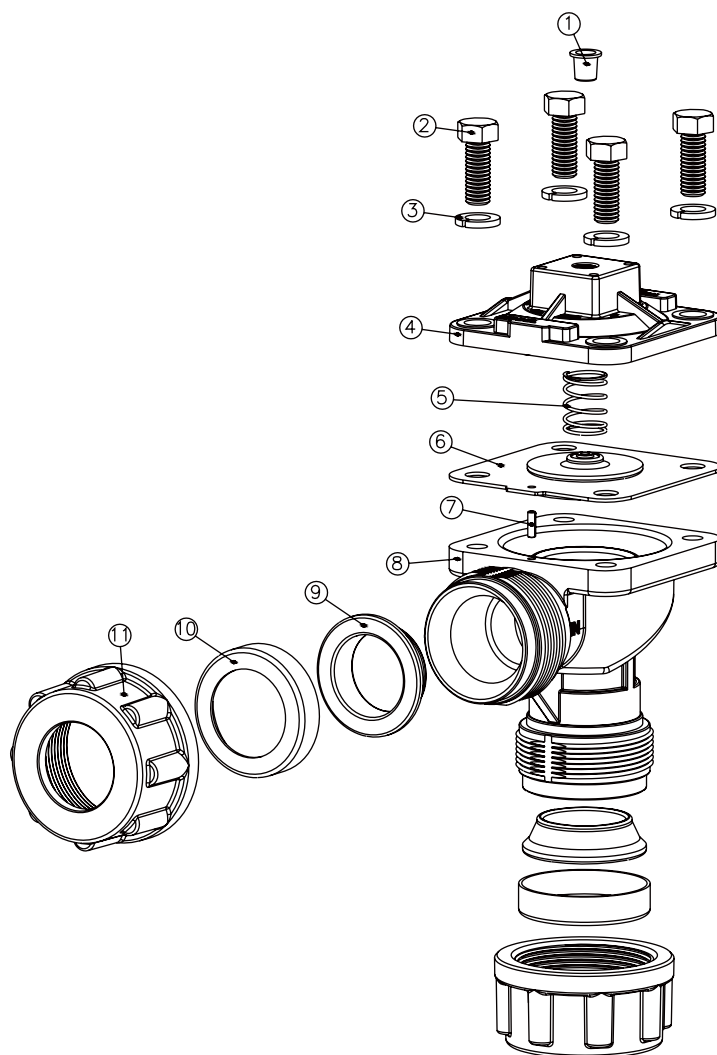
GENERAL FEATURES

Fluids : Air filtered and oil free air
 Diaphragm material : NBR
 Operation temp. : -20 ~ 85°C
 Ambient temp. : -20 ~ 60°C

CONSTRUCTION

Cover : Aluminum
 Body : Aluminum

NO.	
1	Plastic plug
2	Hexagon cover screws
3	Spring washer
4	Top cover
5	Spring
6	Diaphragm
7	Air passage
8	Body
9	Conic seal for dresser nut
10	Dresser nut insert
11	Dresser nut



DIAPHRAGM VALVES WITH QUICK FITTINGS REMOTE TYPE(DUAL DIAPHRAGM)

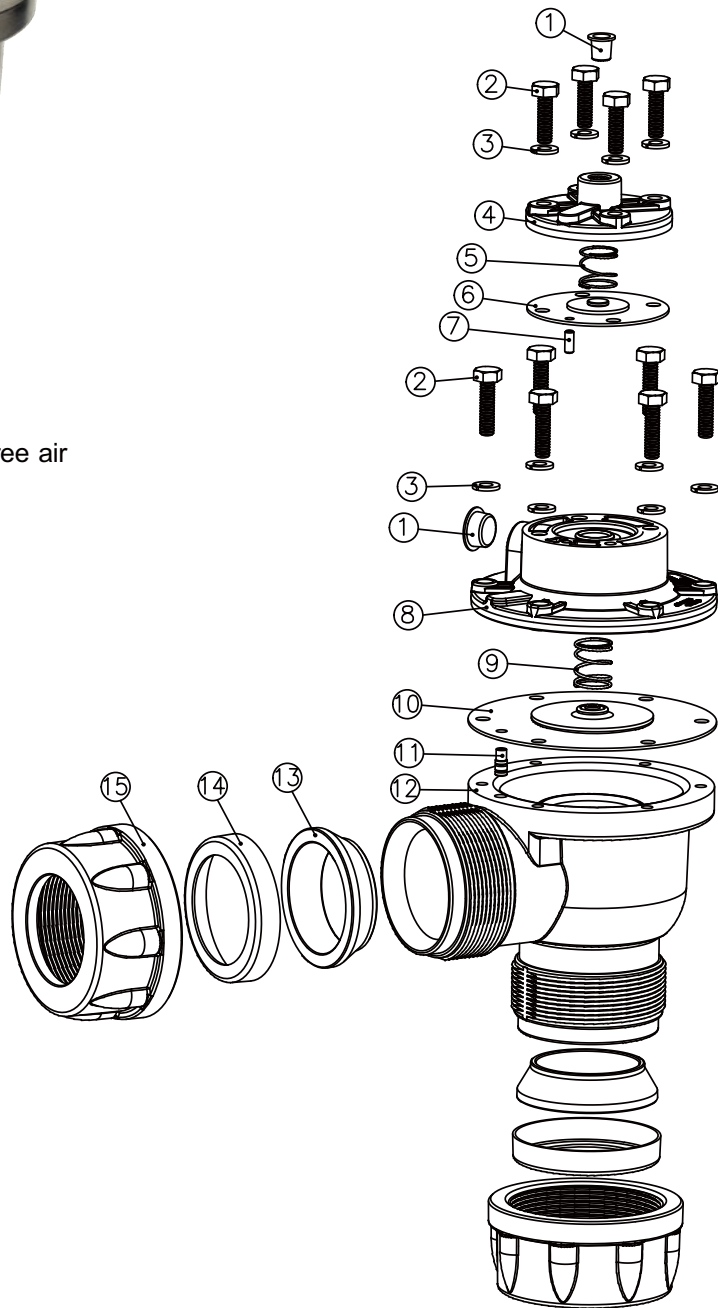


GENERAL FEATURES

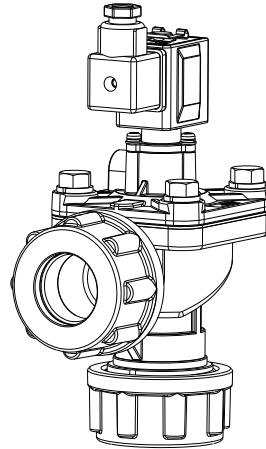
Fluids : Air filtered and oil free air
 Diaphragm material : NBR
 Operation temp. : -20 ~ 85°C
 Ambient temp. : -20 ~ 60°C

CONSTRUCTION

NO	
1	Plastic plug
2	Hexagon cover screws
3	Spring washer
4	Top cover
5	Spring
6	Diaphragm
7	Air passage
8	Intermediate cover
9	Spring
10	Diaphragm (secondary)
11	Air passage (secondary)
12	Body Aluminum
13	Conic seal for dresser nut
14	Dresser nut insert
15	Dresser nut



DIAPHRAGM VALVES WITH QUICK FITTINGS INTEGRATED TYPE



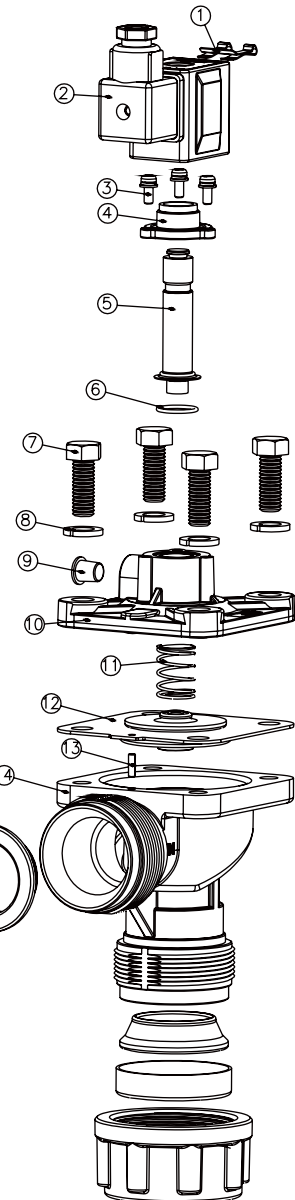
GENERAL FEATURES

Fluids : Air filtered and oil free air
 Diaphragm material : NBR
 Operation temp. : -20 ~ 85°C
 Ambient temp. : -20 ~ 60°C

ELECTRICAL FEATURES

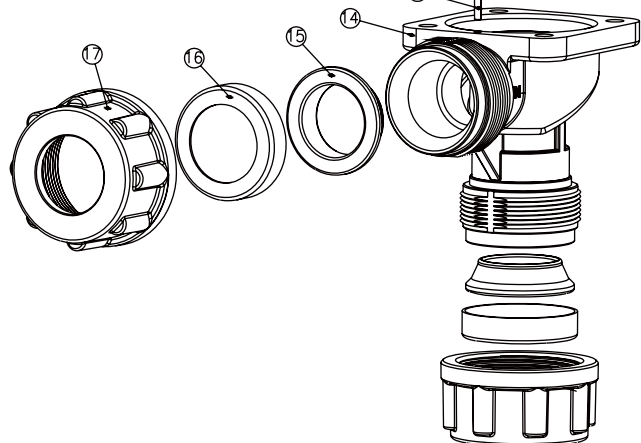
Coil insulation : Class F (155°C)
 Connector spec. : Flying leads (DIN 43650A)
 Electrical equipment : EN 60204.1 and VDE 0580
 Electrical protection : IP65 (EN 60529)
 Standard voltages : 24Vdc±10%,
 110Vac±10%, 50/60Hz
 220Vac±10%, 50/60Hz
 Power consumption : DC---12W for 24Vdc
 AC---17VA/50Hz
 AC---14.5VA/60Hz
 Ambient temp. : -20 ~ 50°C

NO.	
1	Clip
2	Solenoid valve with DIN connector
3	Screws
4	Base
5	Pilot group
6	O-ring
7	Hexagon cover screws
8	Spring washer
9	Plastic plug
10	Top cover
11	Spring
12	Diaphragm
13	Air passage
14	Body
15	Conic seal for dresser nut
16	Dresser nut insert
17	Dresser nut



CONSTRUCTION

Cover : Aluminum
 Body : Aluminum



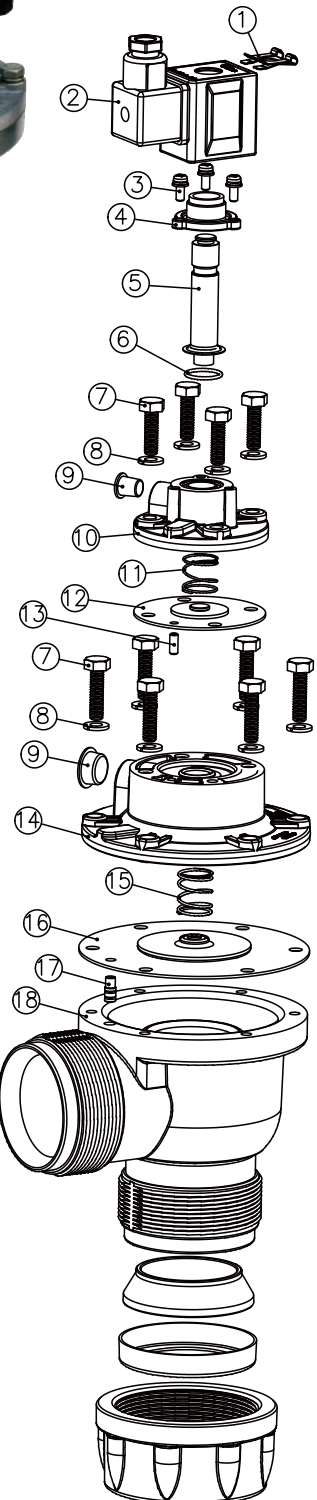
DIAPHRAGM VALVES WITH QUICK FITTINGS INTEGRATED TYPE(DUAL DIAPHRAGM)

GENERAL FEATURES

Fluids : Air filtered and oil free air
 Diaphragm material : NBR
 Operation temp. : -20 ~ 85°C
 Ambient temp. : -20 ~ 60°C

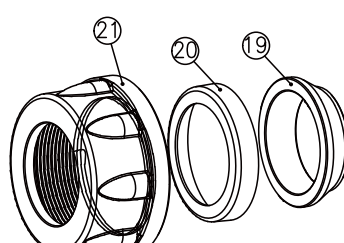
ELECTRICAL FEATURES

Coil insulation : Class F (155°C)
 Connector spec. : Flying leads (DIN 43650A)
 Electrical equipment : EN 60204.1 and VDE 0580
 Electrical protection : IP65 (EN 60529)
 Standard voltages : 24Vdc ±10%
 110Vac ±10%, 50/60Hz
 220Vac ±10%, 50/60Hz
 Power consumption : DC-12W
 AC-17VA(50Hz) / 14.5VA(60Hz)
 Ambient temp. : -20 ~ 50°C



CONSTRUCTION

NO	
1	Clip
2	Solenoid valve
3	Screws
4	Base
5	Pilot group
6	O-RING
7	Hexagon cover screws
8	Spring washer
9	Plastic plug
10	Top cover Aluminum
11	Spring
12	Diaphragm
13	Air passage
14	Intermediate cover
15	Spring
16	Diaphragm (secondary)
17	Air passage (secondary)
18	Body Aluminum
19	Conic seal for dresser nut
20	Dresser nut insert
21	Dresser nut



STAINLESS STEEL DIAPHRAGM VALVES WITH FEMALE THREADS



DESCRIPTION

- Suitable for installation in very corrosive environments such as chemical industry, nuclear and off-shore plants.
- Fast response, large flow volume, effective cleaning action on fabric filter.
- Low air consumption.
- Compatible with programmable sequential controller.
- Ease of adjustment in jet pulse timing and duration.

APPLICATION

Pulse cleaning and filtering system in dust collectors, also suitable for filter bags, filter barrels, flat bags, ceramic tubes and filter bags for metal fiber.

MODEL NUMBER / ORDER CODE COMPARISON TABLE

Model Number	Order Code
BRD-40UC	BRD10000-ACB1A07MA0
BRD-40UC <input type="checkbox"/>	BRD10000-A <input type="checkbox"/> B1A07MA <input type="checkbox"/>

Model Number	Order Code
BRD-52UC	BRD10000-ACB2B07MA0
BRD-52UC <input type="checkbox"/>	BRD10000-A <input type="checkbox"/> B2B07MA <input type="checkbox"/>

ORDER INFORMATION

BRD 1 0 0 0 0 - A 0 7 MA

⑩ Control method and wiring

- A: Integrated type; Solenoid valve with lead wire
- B: Integrated type; Solenoid valve with DIN connector
- C: Remote type

⑪ ⑫ Process connection

- B1: 1-1/2" B2 : 2"

⑬ Diaphragm type

- A: Single diaphragm B: Dual diaphragm

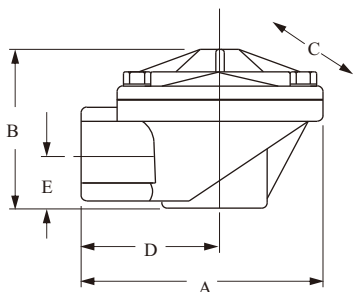
⑱ Power supply for solenoid valve

- A: 110Vac C: 24Vdc
- B: 220Vac 0: Without solenoid valve

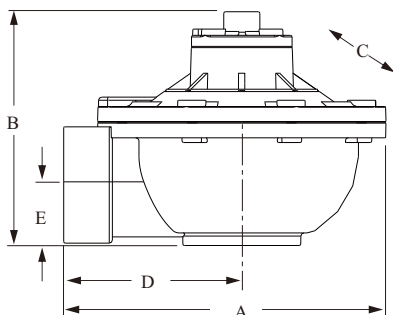
STAINLESS STEEL DIAPHRAGM VALVES WITH FEMALE THREADS

REMOTE TYPE

Model: BRD-40UC

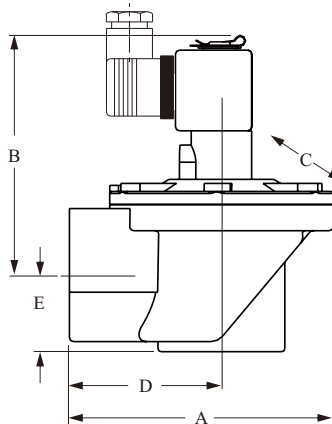


Model: BRD-52UC

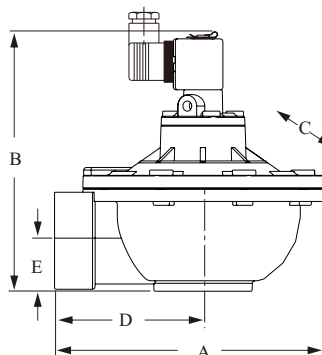


INTEGRATED TYPE

Model: BRD-40UC□



Model: BRD-52UC□



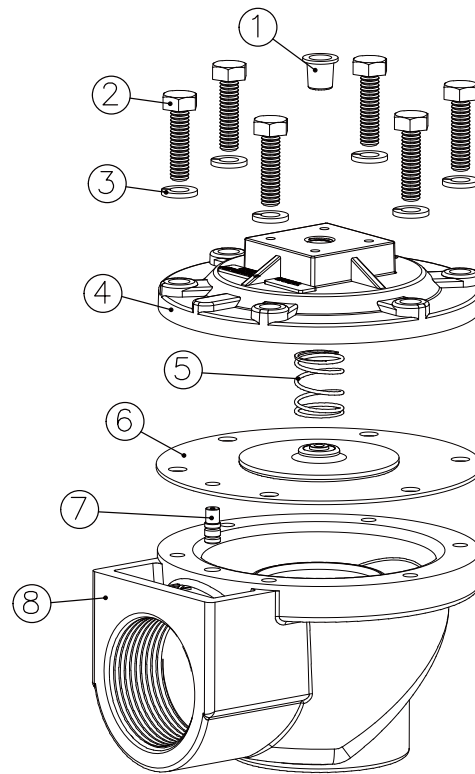
DIMENSION

Model	A		B		C (wide)		D		E	
	inch	mm	inch	mm	inch	mm	inch	mm	inch	mm
BRD-40UC	5.12	130	4.91	125	4.37	111	4.5	75	1.28	36
BRD-40UC□			6.06	154						
BRD-52UC	8.07	205	5.87	149	7.24	184	4.45	113	1.55	40
BRD-52UC□			7.91	201						

SPECIFICATION

Model	Orifice (inch)	Number (Diaphragm)	Flowfactor Kv(m ³ /h)	Flow factor Cv (gal/min)	Operating pressure (Bar)	Weight (g)
BRD-40UC	1-1/2"	1	36.12	42	0.3 ~ 8.6	2700
BRD-40UC□						2950
BRD-52UC	2"	2	91.16	106	0.3 ~ 8.6	6900
BRD-52UC□						7630

STAINLESS STEEL DIAPHRAGM VALVES WITH FEMALE THREADS REMOTE TYPE



GENERAL FEATURES

Fluids : Air filtered and oil free air
 Diaphragm material : NBR
 Operation temp. : -20 ~ 85°C
 Ambient temp. : -20 ~ 60°C

CONSTRUCTION

NO	
1	Plastic plug
2	Hexagon cover screws
3	Spring washer
4	Top cover SUS304
5	Spring
6	Diaphragm
7	Air passage
8	Body SUS304

STAINLESS STEEL DIAPHRAGM VALVES WITH FEMALE THREAD REMOTE TYPE(DUAL DIAPHRAGM)

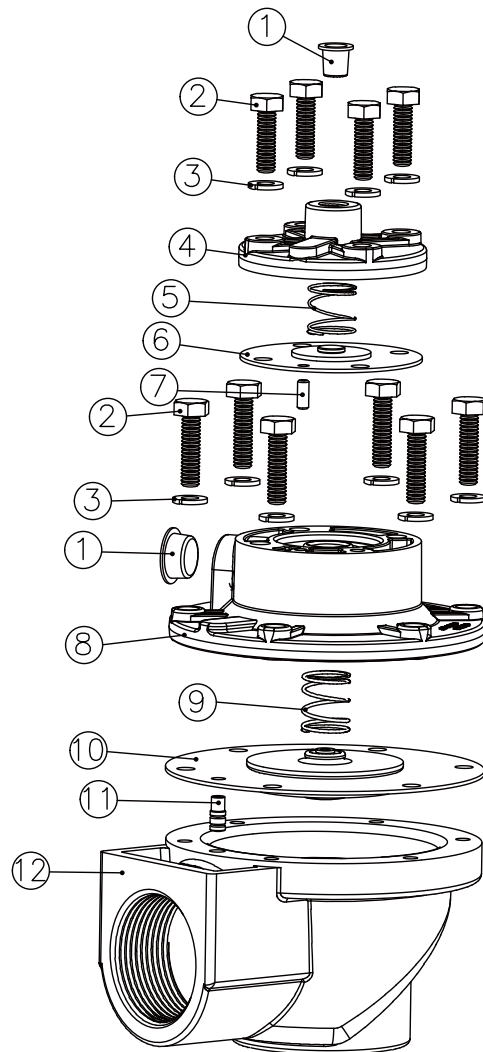


GENERAL FEATURES

Fluids : Air filtered and oil free air
 Diaphragm material : NBR
 Operation temp. : -20 ~ 85°C
 Ambient temp. : -20 ~ 60°C

CONSTRUCTION

NO	
1	Plastic plug
2	Hexagon cover screws
3	Spring washer
4	Top cover SUS304
5	Spring
6	Diaphragm
7	Air passage
8	Intermediate cover SUS304
9	Spring
10	Diaphragm (secondary)
11	Air passage (secondary)
12	Body SUS304



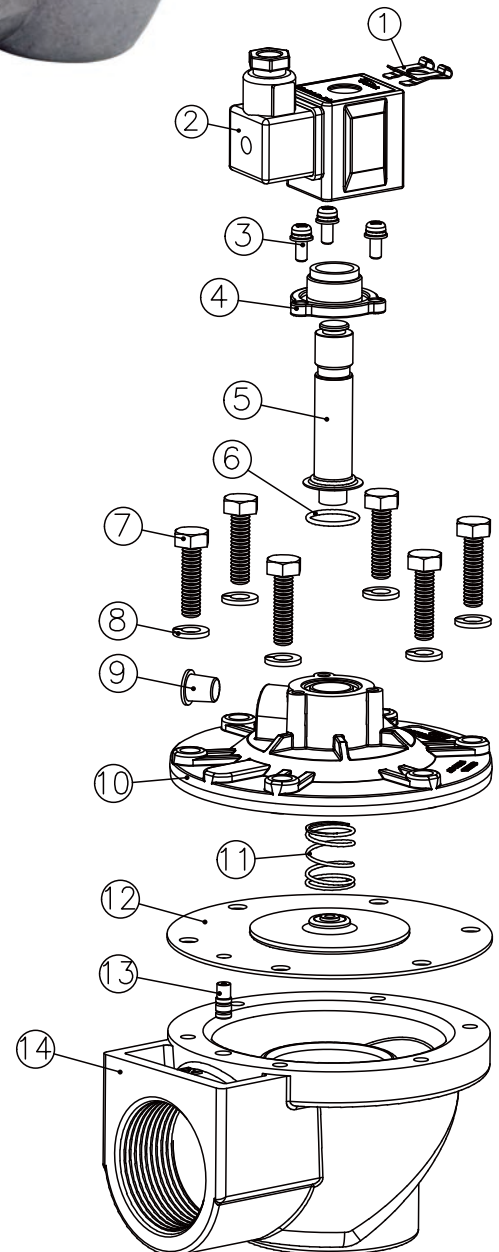
STAINLESS STEEL DIAPHRAGM VALVES WITH FEMALE THREADS INTEGRATED TYPE

GENERAL FEATURES

Fluids : Air filtered and oil free air
 Diaphragm material : NBR
 Operation temp. : -20 ~ 85°C
 Ambient temp. : -20 ~ 60°C

ELECTRICAL FEATURES

Coil insulation : Class F (155°C)
 Connector spec. : Flying leads (DIN 43650A)
 Electrical equipment : EN 60204.1 and VDE 0580
 Electrical protection : IP65 (EN 60529)
 Standard voltages : 24Vdc±10%
 110Vac±10%, 50/60Hz
 220Vac±10%, 50/60Hz
 Power consumption : DC-12W
 AC-17VA(50Hz) / 14.5VA(60Hz)
 Ambient temp. : -20 ~ 50°C



CONSTRUCTION

NO	
1	Clip
2	Solenoid valve
3	Screws
4	Base
5	Pilot group
6	O-RING
7	Hexagon cover screws
8	Spring washer
9	Plastic plug
10	Top cover SUS304
11	Spring
12	Diaphragm
13	Air passage
14	Body SUS304

STAINLESS STEEL DIAPHRAGM VALVES WITH FEMALE THREAD INTEGRATED TYPE (DUAL DIAPHRAGM)



GENERAL FEATURES

Fluids : Air filtered and oil free air
 Diaphragm material : NBR
 Operation temp. : -20 ~ 85°C
 Ambient temp. : -20 ~ 60°C

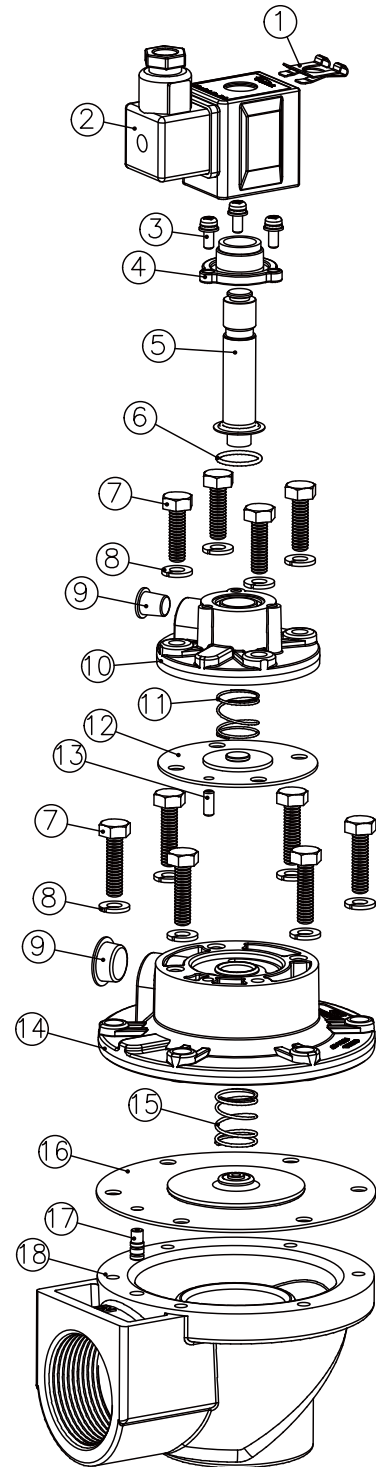
ELECTRICAL FEATURES

Coil insulation : Class F (155°C)
 Connector spec. : Flying leads (DIN 43650A)
 Electrical equipment : EN 60204.1 and VDE 0580
 Electrical protection : IP65 (EN 60529)
 Standard voltages : 24Vdc ±10%
 110Vac±10%, 50/60Hz
 220Vac±10%, 50/60Hz
 Power consumption : DC-12W
 AC-17VA(50Hz) / 14.5VA(60Hz)
 Ambient temp. : -20 ~ 50°C

CONSTRUCTION

NO	
1	Clip
2	Solenoid valve
3	Screws
4	Base
5	Pilot group
6	O-RING
7	Hexagon cover screws
8	Spring washer
9	Plastic plug

NO	
10	Top cover SUS304
11	Spring
12	Diaphragm
13	Air passage
14	Intermediate cover SUS304
15	Spring
16	Diaphragm (secondary)
17	Air passage (secondary)
18	Body SUS304

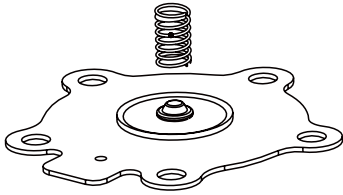
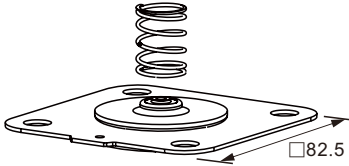
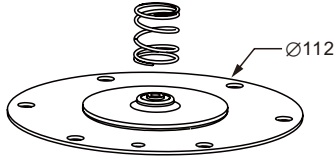


GENERAL SPECIFICATION

Diaphragm material : NBR
 Operating temperature : -20 ~ 85°C
 Ambient temperature : -20 ~ 60°C

FEATURES

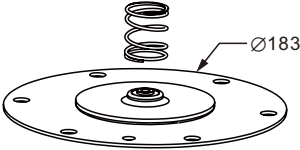
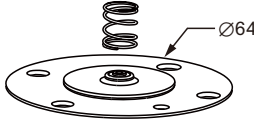
Consumable, spare parts, easy for regular replacement of diaphragm to ensure the fine function of equipment.

<p>BRDBM1P-07B00A7001 BRD-20 Diaphragm + spring</p>	<p>BRDBM1P-07B00A8001 BRD-25 Diaphragm + spring</p>	<p>BRDBM1P-07B00B1001 BRD-40 Diaphragm + spring</p>
		

BRD-42 =
 (BRDBM1P-07B00B1001 +
 BRDBM1P-07B0000001)

BRD-52 =
 (BRDBM1P-07B00B2001 +
 BRDBM1P-07B0000001)

BRD-62 =
 (BRDBM1P-07B00B2001 +
 BRDBM1P-07B0000001)

<p>BRDBM1P-07B00B2001 BRD-52 Large diaphragm + spring</p>	<p>BRDBM1P-07B0000001 BRD-10 Small diaphragm + spring</p>
	

MODEL NUMBER / ORDER CODE COMPARISON TABLE

Model Number	Order Code
BDB-0091	BRDAM1P-07B00A7001
BDB-0092	BRDAM1P-07B00A8001
BDB-0093	BRDAM1P-07B00B1001
BDB-0095	BRDAM1P-07B00B2001
BDB-0096	BRDAM1P-07B0000001



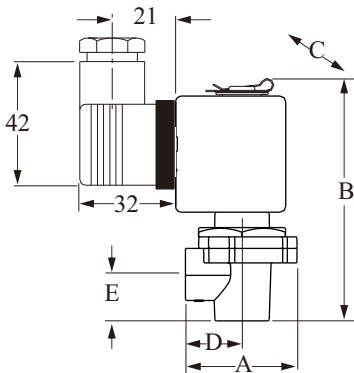
ELECTRICAL FEATURES

- Coil insulation : Class F (155°C)
- Connector spec. : Flying leads (DIN 43650A)
- Electrical equipment : EN 60204.1 and VDE 0580
- Electrical protection : IP65 (EN 60529)
- Standard voltages : 24Vdc±10%,
110Vac±10%, 50/60Hz
220Vac±10%, 50/60Hz
- Power consumption : 12W for 24Vdc
AC-17VA(50Hz) /14.5VA/(60Hz)
- Ambient temp. : -20 ~ 50°C

CONSTRUCTION

- Cover : Aluminum
- Body : Aluminum

Model: BDB-V□□



Model	A (mm)	B (mm)	C (mm)	D (mm)	E (mm)
BDB-V□□	38.5	83.5	34	19.5	16

Model	Connection (inch)	Number	Operating pressure (Bar)
BDB-V□□	1/8" or 1/4"	1	2 ~ 8.6

MODEL NUMBER / ORDER CODE COMPARISON TABLE

Model Number	Order Code
BDB-V□□	BRDBM1P-MHA□□□□

ORDER INFORMATION

BRD B M 1 P - MHA ^⑪ ^⑫ ^⑬ ^⑭ □ □ □ □

⑪ ⑫ Voltages

- A1: 110VAC, Lead wire A7: 220VAC, Lead wire B2: 24VDC, DIN connector
- A2: 24VDC, Lead wire B1: 110VAC, DIN connector B7: 220VAC, DIN connector

⑬ ⑭ Pneumatic connection

- A1: 1/8"PT A2: 1/4"PT

REMOTE SOLENOID ENCLOSURE

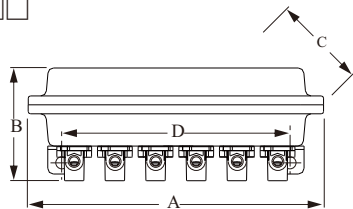
OPTIONAL ACCESSORIES



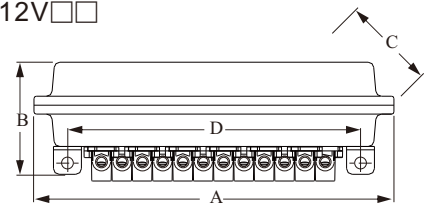
ELECTRICAL FEATURES

- Coil insulation : Class F (155°C)
- Connector spec. : Flying leads
- Electrical equipment : EN 60204.1 and VDE 0580
- Electrical protection : IP65 (EN 60529)
- Ambient temp. : -20 ~ 50°C

Model: BDB-06V□□



Model: BDB-12V□□



Model	Pneumatic connection (PT)	Electrical connection (NPT)	Number Hole	Number Solenoid valve	Operating pressure (Bar)	A (mm)	B (mm)	C (mm)	D (mm)
BDB-06V□□	1/8" or 1/4"	3/4"x 1	6	2,3,4,5,6	0.3 ~ 8.6	270	106	160	234
BDB-12V□□	1/8" or 1/4"	3/4"x 2	12	7,8,9,10,11,12	0.3 ~ 8.6	480	106	160	446

MODEL NUMBER / ORDER CODE COMPARISON TABLE

Model Number	Order Code
BDB-06V□□	BRDBM1P-MHF□□□□A
BDB-12V□□	BRDBM1P-MHF□□□□B

ORDER INFORMATION

BRD B M 1 P-MHF ^⑪□ ^⑫□ ^⑬□ ^⑭□ ^⑮□

⑪ ⑫ Voltages

A1: 110VAC,Lead wire

A2: 24VDC,Lead wire

A7: 220VAC,Lead wire

⑬ ⑭ Pneumatic connection

A1: 1/8"PT A2: 1/4"PT

⑮ Solenoid value

A: 6 B: 12

DESCRIPTION

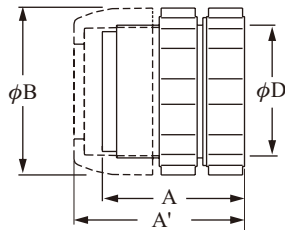
These components eliminate the requirement of welding and allow easy removal of cleaning systems and blowtubes for maintenance purposes.



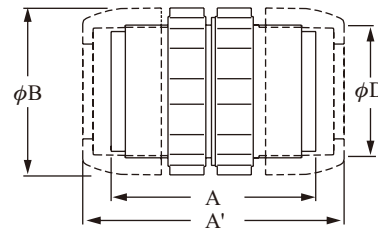
CONSTRUCTURE

- DIN nut : Aluminum
- Body : Aluminum
- Ring nut : Aluminum
- Washer : SS41
- Conical gasket : NBR (standard)
VITON (optional)

Model: BDB-□□D

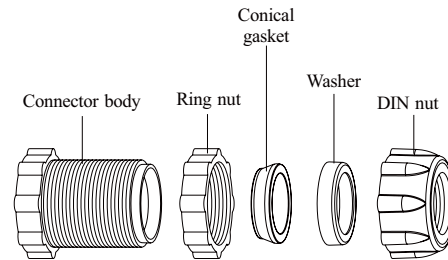


Model: BDB-□□DD



Model No.	Orifice	Tube outer diameter (mm)		A (mm)	A' (mm)	φB (mm)	φD (mm)
		JIS	ASTM				
BDB-20D	3/4"	27.2	26.67	60.5	70	58.5	45~51
BDB-20DD	3/4"	27.2	26.67	91	110	58.5	45~51
BDB-25D	1"	34	33.4	69	80	70	56~62
BDB-25DD	1"	34	33.4	101	123	70	56~62
BDB-40D	1-1/2"	48.6	48.26	75	90	88	72~78
BDB-40DD	1-1/2"	48.6	48.26	108	138	88	72~78

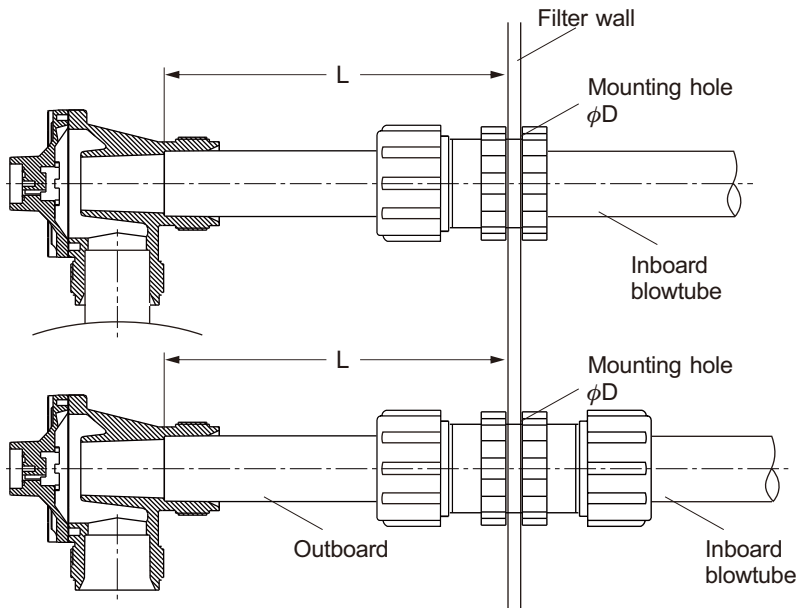
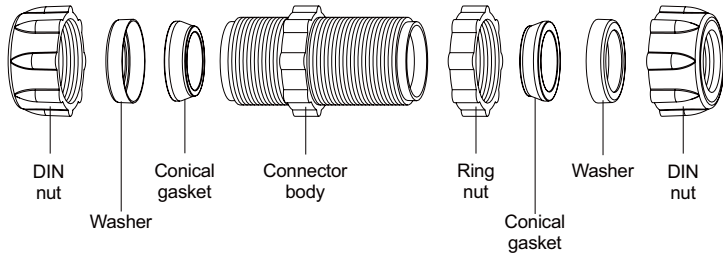
BDB--□□D



MODEL NUMBER / ORDER CODE COMPARISON TABLE

Model Number	Order Code
BDB-□□D	BRDBM1P-MHE00□□
BDB-□□DD	BRDBM1P-MHL00□□
BDB-20D	BRDBM1P-MHE00A7
BDB-20DD	BRDBM1P-MHL00A7
BDB-25D	BRDBM1P-MHE00A8
BDB-25DD	BRDBM1P-MHL00A8
BDB-40D	BRDBM1P-MHE00B1
BDB-40DD	BRDBM1P-MHL00B1

BDB-□□DD



ORDER INFORMATION

BRD B M 1 P-MH ^⑩□ **0 0** ^⑬□ ^⑭□

⑩ **Type**

E: Bulkhead connectons (single side)

L: Bulkhead connectons (two side)

⑬⑭ **Connection**

A7: 3/4"

A8: 1"

B1: 1-1/2"

PROGRAMMABLE SEQUENTIAL CONTROLLER (SIMPLE TYPE)

SPECIFICATIONS

Power supply: (AE71□A) 100~240Vac,50/60Hz

(AE71□D) 24Vdc,±20%

Interval adjustable range: 2~60s

Spray time adjustable range: 20~200ms

Number of sequence: 1~10 points

Fuse: 3A

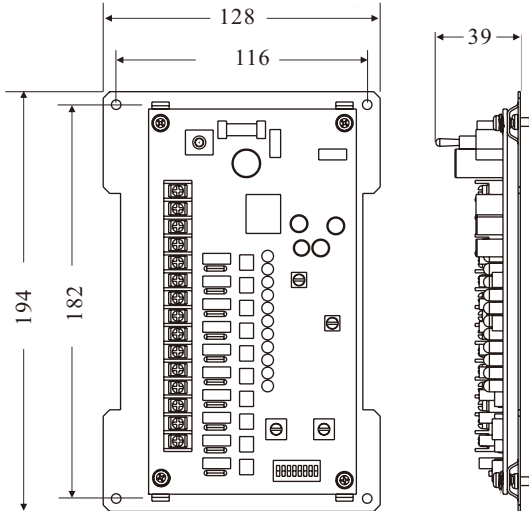
Ambient temperature : -25~75°C

Case material: Cover — PC

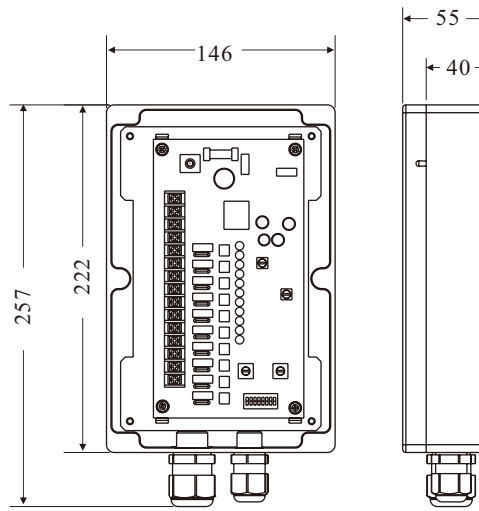
BOX — ABS (Optional)



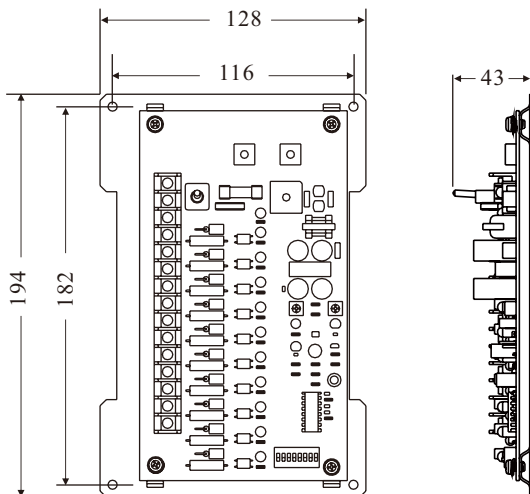
Model: AE710A



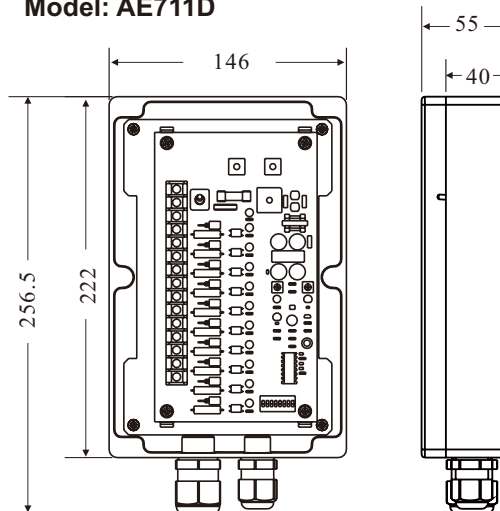
Model: AE711A



Model: AE710D



Model: AE711D



MODEL NUMBER / ORDER CODE COMPARISON TABLE

Model Number	Order Code
AE710A	AEX40100-AB
AE710D	AEX40100-AC
AE711A	AEX40100-BB
AE711D	AEX40100-BC

ORDER INFORMATION

AEX ⁰⁴□ ⁰⁵□ ⁰⁶□ 00 - ⁰⁹□ ¹⁰□

⁰⁴ **Type** _____
 4: Simple type

⁰⁵ ⁰⁶ **Control output** _____
 01: 10 points

⁰⁹ **Case** _____
 A: None
 B: Yes

¹⁰ **Power supply** _____
 B: 100~240Vac (only for Simple type)
 C: 24Vdc (only for Simple type)

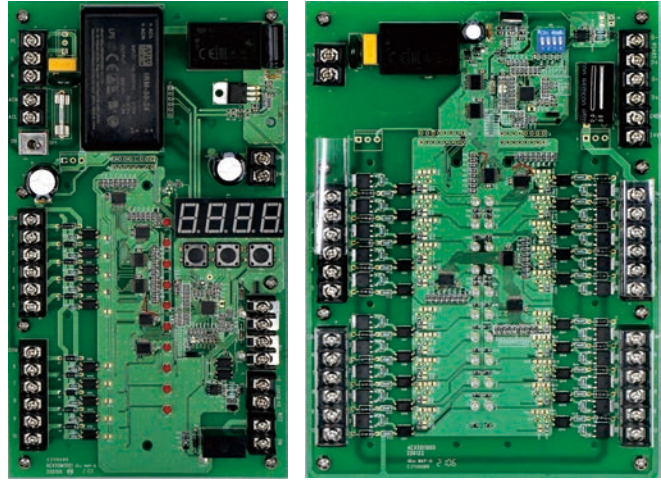
PROGRAMMABLE SEQUENTIAL CONTROLLER (CONTINUOUS EXPANSION TYPE)

DESCRIPTION

AEX6 is specifically designed for use with pneumatic dust collector systems. It comprises of a microprocessor and a logic analysis & control circuit, with an output of 10, 20 points (up to 620 points with an expansion board) to control the solenoid of the diaphragm valve which in turn controls the pulse jet sequence of the valves, thus achieving the dust collector's main objective of cleaning the bag filter. The LED display panel indicates the current pulse jet position. Pulse Jet time and interval time can be adjusted. The number of control points can also be adjusted and increased. Wide application range, with user-friendly operation. It has an external current input terminal, which can be connected to a differential pressure transmitter or used for dust concentration detection. When the current reaches the set value, the fabric bag is attached to a greater degree, and the pulse jet interval is automatically shortened to improve the efficiency of bag cleaning. Continuous low current indicates that the fabric bag has broken and pressure has reduced. A built-in relay contact can be used as an alarm output.

FEATURES

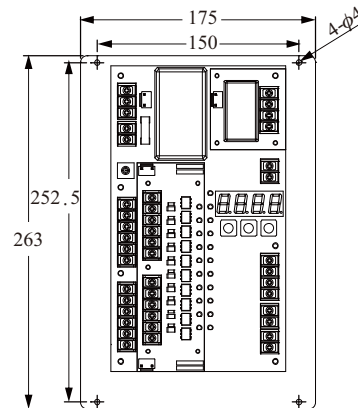
- Digital display for easy operation and real-time control of operation status.
- Microprocessor control – accurate and precise operation.
- Remote control function – convenient to start and stop operations.
- Able to automatically execute pulse jet cycle even after system shuts down, therefore preventing clogging caused by damp and dust residue in the fabric bag.
- Waterproof and dustproof outer box can be purchased to extend the service life.
- Number of output points can be increased up to 620 points.
- It can be connected to 4~20mA input (differential pressure or dust detection) when the set value is reached. Interval time is automatically shortened to improve performance, with a Relay output to warn when the fabric bag is broken.



Measurement

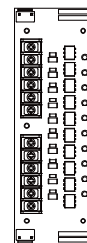
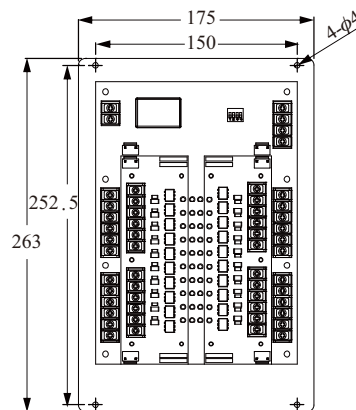
Motherboard

(Unit:mm)

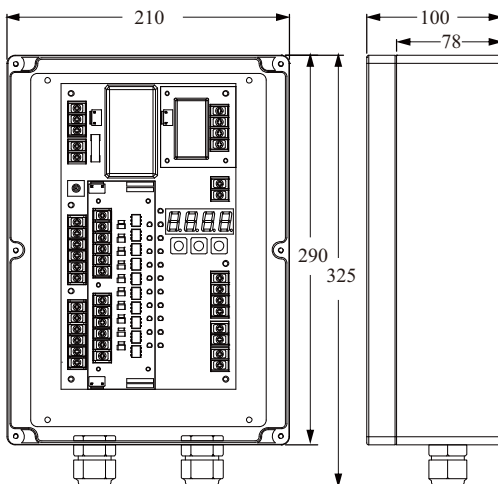


Expansionboard

Moduleboard



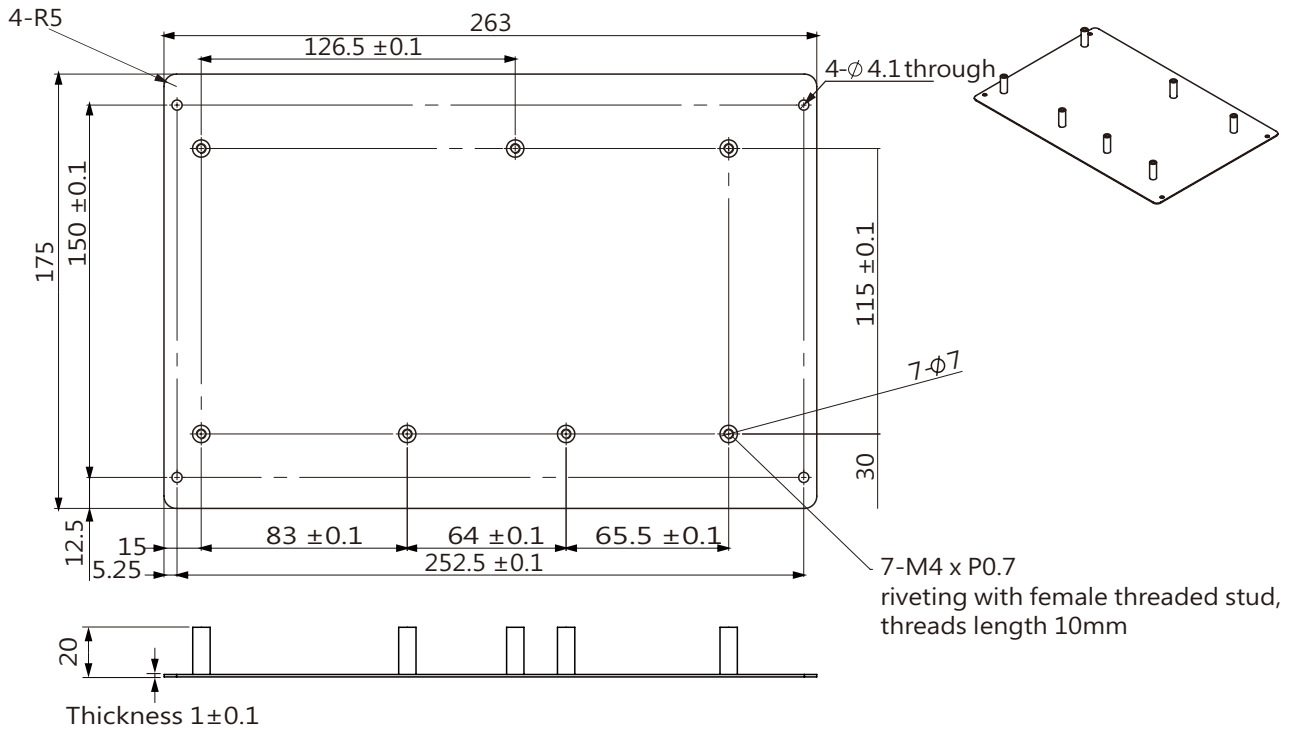
Outer Box



PROGRAMMABLE SEQUENTIAL CONTROLLER (CONTINUOUS EXPANSION TYPE)

(Unit:mm)

Order number : AEXAM4P-MED0000001



SPECIFICATION

Item	Specification	
	Motherboard	Expansionboard
Power supply	100~240Vac ±10%, 50/60 Hz	100~240Vac ±10%, 50/60 Hz (Power input must be provided by the motherboard)
Power consumption	3 VA (excluding output)	
Operating temp.	-20°C~70°C	
Operating humidity	RH 20~85%	
Output type (optional)	AC Output: consistent with power supply voltage, max. 1A DC Output: 24V, max. 1.25A	
Output point (optional)	10 · 20	20 · 30 · 40
Pulse jet interval	1~999 seconds	
Pulse jet time	10 milliseconds ~ 9990 milliseconds	
Shutdown cycle function	Yes	
Remote control function	Yes	
4~20mA input (optional)	Yes	
Alarm output contact	SPST 3A 250Vac / 24Vdc	
Outer box (optional)	210 × 290 × 100, box ABS cover PC	

PROGRAMMABLE SEQUENTIAL CONTROLLER (CONTINUOUS EXPANSION TYPE)

AEX6 Suggested Configuration

	10 point	20 point	30 point	40 point	50 point	60 point
Motherboard	1	1	1	1	1	1
Expansionboard	0	0	1	1	1	1
Module board	0	1	0	1	2	3

	70 point	80 point	90 point	100 point
Motherboard	1	1	1	1
Expansionboard	2	2	2	2
Module board	2	3	4	5

- ※ Motherboard is necessary for all different combinations of expansion/ module boards
- ※ Min. port numbers: Motherboard: 10 points/ Expansionboard: 20 points/ Module board: (fixed 10 points)
- ※ Referred to above table for suggested combinations for 10 ~ 100 points, it can be up to 620 points as maximum.

Order Instructions

AEX 6 ⁰⁵ ⁰⁶ 00 - ⁰⁹ ¹⁰ ¹¹ ¹²

⁰⁵ ⁰⁶ **Output type** _____

- 0A: Sequence control + AC output
- 0D: Sequence control + DC output

⁰⁹ **External input** _____

- N: None
- I : 4~20mA input

¹⁰ **Outer box** _____

- A: None
- B: Yes

¹¹ ¹² **Control point(s)** _____

- 01: 10 points
- 02: 20 points
- 03: 30 points
- ⋮
- 62: 620 points

Global Network



■ Head Quarter

● Taiwan

FineTek Co., Ltd. - Taipei Head Quarter 
 No.16, Tzuchiang St., Tucheng Industrial Park
 New Taipei City 236, Taiwan
 TEL: 886-2-2269-6789
 FAX: 886-2-2268-6682
 EMAIL: info@fine-tek.com

■ North America

● California, U.S.

Aplus Finetek Sensor Inc. - US Office
 355 S. Lemon Ave, Suite D
 Walnut, CA 91789
 TEL: 1 909 598 2488
 FAX: 1 909 598 3188
 EMAIL: info@aplusfine.com

■ Europe

● Germany

FineTek GmbH - Germany Office
 Bei den Kämpen 26
 21220 Seevetal-Ramelsloh, Germany
 TEL: +49-(0)4185-8083-12
 FAX: +49-(0)4185-8083-80
 EMAIL: info@fine-tek.de

■ Asia

● China

Fine automation Co., Ltd. - Shanghai Factory 
 No.451 DuHui Rd, MinHang District, Shanghai,
 China 201109
 TEL: 86-21-6490-7260
 EMAIL: info.sh@fine-tek.com

● Singapore

FineTek Pte Ltd. - Singapore Office
 37 Kaki Bukit Place, Level 4 Singapore 416215
 TEL: 65-6452-6340
 EMAIL: info.sg@fine-tek.com

● Indonesia

PT. FineTek Automation Indonesia - Indonesia Office 
 PERGUDANGAN TUNAS BITUNG
 Jl. Raya Serang KM. 13,8, Blok C3 No. 12&15, Bitung Cikupa,
 Tangerang 15710
 TEL: 62 (021)-2958-1688
 EMAIL: info.id@fine-tek.com

● Müttec Instruments GmbH - Germany Office

Bei den Kämpen 26
 21220 Seevetal-Ramelsloh, Germany
 TEL: +49-(0)4185-8083-0
 FAX: +49-(0)4185-8083-80
 EMAIL: muetec@muetec.de



Distributor: